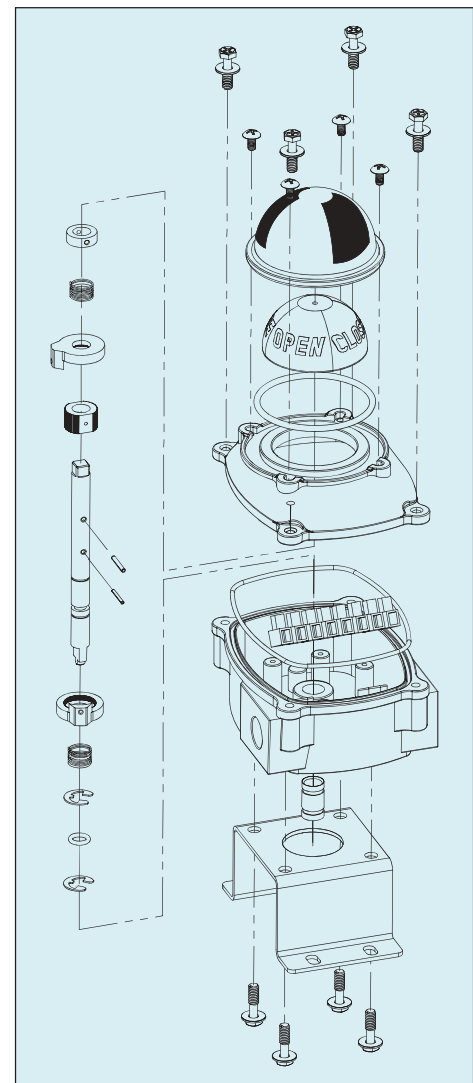


NU Valve Position Monitor(Limit Switchbox)

Material of Construction Aluminum Alloy Body

IP 68 weather-proof // Ambient Temp.: -20 ~ +80° C // Captive cover bolts

Housing	Low cooper aluminum die-casting
Coating	Epoxy-Polyester
Sealing	NBR O-rings on each interface (Dome indicator, Lower/Upper Housing, Shaft)
Cams	Poly-Carbonate
Bushings	Bronze
Shaft	AISI304 Stainless Steel
Earth Lug	Stainless Steel
Mounting Bracket	AISI304 Stainless Steel



## NU Valve Position Monitor (Limit Switchbox)



- Enclosure: Aluminum Die-casting, weather proof - IP68 water-proof
- Bolts on visual position Indicator
- Switches: 2, 3 or 4 x SPDT mechanical switch or proximity
- Cable Entry: 2 x 1/2"NPT(std.). Option:M20,PG13.5,PF1/2",PT1/2"
- Terminal Strip: 8 points(0.08 – 2.5mm<sup>2</sup>), Option: 8-16 points
- Easy mounting, Namur standard, stainless steel bracket & bolts

### Autonics proximity sensors PS17-5DNU(PNP), 3-wire

Voltage rating : 10~30VDC  
Sensing distance : 5mm  
Ambient temperature : -25~+70°C

