

Differential Pressure Switch

For monitoring overpressure, vacuum and differential pressure of air or other non-combustible, non-aggressive gases for both HVAC and energy management applications. Automatic reset and field adjustable setpoints and switching hysteresis.


Type Overview

Type	Measuring range diff. pressure	Measuring range diff. pressure	Repeating accuracy	Switching differential [pressure]	Burst pressure
01APS-50R	0.08...1.20 inch WC	20...300 Pa	±5%, min. ±0.02 inch WC [5 Pa]	0.04 inch WC [10 Pa]	10 kPa / 40 inch WC
01APS-50U	0.20...2.00 inch WC	50...500 Pa	±2.5%, min. ±0.02 inch WC [5 Pa]	0.08 inch WC [20 Pa]	10 kPa / 40 inch WC
01APS-501	0.80...4.00 inch WC	200...1000 Pa	±1%, min. ±0.02 inch WC [5 Pa]	0.4 inch WC [100 Pa]	10 kPa / 40 inch WC
01APS-504	2.00...10.00 inch WC	500...2500 Pa	±1%, min. ±0.02 inch WC [5 Pa]	0.6 inch WC [150 Pa]	10 kPa / 40 inch WC

Technical Data

Electrical Data	Electrical connection	terminals for wire 0.5...1.5 mm ²
	Cable entry	Cable gland with strain relief Ø6...8 mm (1/2" NPT conduit adapter included)
Functional Data	Output signal switch note	contact current max. 1.0 A (0.4) / AC 250 V
	Application	air
Measuring Data	Measuring values	differential pressure
	Measuring fluid	air, non-combustible and non-aggressive gases
Materials	Housing	base: PA 6.6 cover: ps
Safety Data	Ambient humidity	max. 95% r.H., non-condensing
	Ambient temperature	-5...140°F [-20...60°C]
	Fluid temperature	-5...140°F [-20...60°C]
	Storage temperature	-40...185°F [-40...85°C]
	EU Conformity	CE Marking
	Certification IEC/EN	IEC/EN 60730-1
	Certification UL	ETL listed, UL508, CSA C22.2 No.14
	Degree of protection IEC/EN	IP54
Degree of protection NEMA/UL	NEMA 13	
Quality Standard	ISO 9001	

Safety Notes



This device has been designed for use in stationary heating, ventilation and air-conditioning systems and must not be used outside the specified field of application. Unauthorised modifications are prohibited. The product must not be used in relation with any equipment that in case of a failure may threaten humans, animals or assets.

Ensure all power is disconnected before installing. Do not connect to live/operating equipment.

Only authorised specialists may carry out installation. All applicable legal or institutional installation regulations must be complied during installation.

The device contains electrical and electronic components and must not be disposed of as household refuse. All locally valid regulations and requirements must be observed.

Remarks

Recommended installation positions

The specifications for the switching pressure refer to a vertical installation position, which is also recommended with downward pressure connections. For horizontal mounting position with upwards directed AMP connecting lugs, the switching values are approx. 20 Pa higher.

It is not permitted to mount the pressure switch upside down!

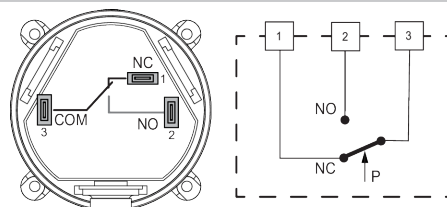
Scope of delivery

- PVC tube 2 m
- 2 x Duct connectors (plastic)
- Screws
- 1/2" NPT conduit adapter

Accessories

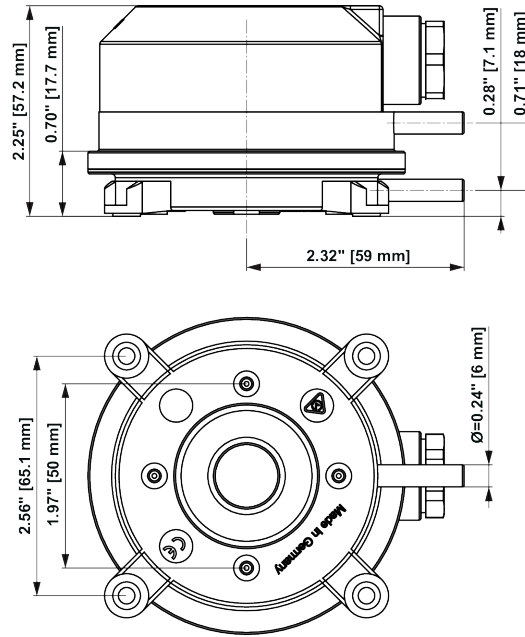
Optional accessories	Description	Type
	Mounting bracket, Metal, L form for 01APS-..	A-22AP-A06
	Mounting bracket, Metal, S form for 01APS-..	A-22AP-A07
	Cable entry, M20x1.5, for 01APS-..., Multipack 10 pcs.	A-22AP-A11.1
	Duct connector kit for 01APS-..., Multipack 50 pcs.	A-22AP-A05.1

Wiring Diagram



Dimensions

Dimensions



Type	Weight
01APS-50R	0.26 lb [0.12 kg]
01APS-50U	0.26 lb [0.12 kg]
01APS-501	0.26 lb [0.12 kg]
01APS-504	0.26 lb [0.12 kg]